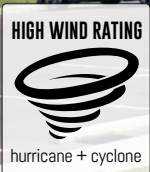


STEALTH

ALL IN ONE SOLAR LIGHT



2020 EXTERIOR LUMINAIRE OF THE YEAR



50W
9,350lm



Designed in Australia, the STEALTH is a high performance, all in one solar light. Heavy duty die-cast aluminium construction with tough marine grade powder coating and stainless fixtures ensures reliable performance in the harshest environments.

The elegant design offers a solar powered alternative to conventional mains powered lighting in a sleek, durable, ultra-modern package. IoT ready and able to interface with SAM remote monitoring and control software.

APPLICATIONS

- Pathways
- Parking Lots
- Industrial
- Commercial
- Marinas
- Jetties
- Parks
- Recreation



SPECIFICATIONS

MODEL	STEALTH
--------------	----------------

OPERATING PROFILE / OPERATIONAL PARAMETERS

Standard operating mode is - **Configurable** - Unit has programmable parameters ranging from 2W / 374lm to 50W / 9,350lm.
NOTE: Various program and TIMER settings for ON / OFF / DIM are available upon request.

LED

Type	CREE XP-G LED
Watts (Light Output)	50W (MAX) - 29W + 21W PIR
Lumens	9,350lm TOTAL - 5,984lm + 3,366lm (PIR Activated Boost Mode - 30 seconds)
CCT (Colour Temperature)	4000K (standard) / 3000K (optional) Turtle Friendly & Narrow Band Amber Wave 590nm, 645nm
Motion Sensor (PIR)	Operating range 6-8m / 20-26' (360° detection zone) Activates for 30 seconds
Optics	LEDIL T2 (Default) T3 / T5 (Optional)
BUG Rating	B1-U1-G1 / (B1-U0-G1 Available with Zero Tilt Pole Mount Bracket Option)

BATTERY

Autonomy	54 hours (4.5 nights)* Advanced Power Scaling (APS) can extend autonomy to 100hrs +
Battery Type / Capacity	LiFePo ₄ 12.8v 36Ah

SOLAR PANEL

Watts (p) / Type	65W(p) N type monocrystalline military grade solar panel with USA Made Solar Cells (edgeless frame design)
Efficiency	24%

UNIT

Material	Die-cast Aluminium chassis with TIGER Drylac® marine grade powder coating and stainless steel fixtures	
Mounting	7° panel angle with 60mm spigot / 2-3/8" OD tenon pole mount bracket	
Sail Area / EPA	0.1146m ² / 1.2333 sqft	
Product Dimensions	540L x 540W x 66H (mm) / 21"L x 21"W x 2.59"H	
Product Weight	Light Fixture: 17.2kg / 37.9 lb Pole Mount Bracket (PMB): 4.5 kg / 9.9 lb	
Package Dimensions / Weight	Light Fixture: 620mm x 620mm x 182mm / 24.4" x 24.4" x 7.1" Pole Mount Bracket : 590 x 260 x 200mm / 23.2" x 10.23" x 7.87" Wall Mount Bracket: 590 x 260 x 100mm / 23.2" x 10.23" x 3.93" Pole: 3000 x 76 x 76mm x / 118.1" x 3" x 3" (2 sections)	21.25 kg / 48.8 lb 5.65 kg / 12.5 lb 6 kg / 13.2 lb spigot 20.15 kg / 44.4 lb (top + bottom)

OPTIONS

Pole mount bracket (STE-PMB7)	60mm / 2-3/8" spigot
Wall mount bracket (STE-WMB7)	10mm / 0.39" gauge steel
Zero Tilt PMB (STE-PMB0)	Pole Mount Bracket to meet Dark Sky Recommendations
Spigot adaptor (PM60-76-BL)	76mm > 60mm / 3" > 2-3/8"
Boss kit adaptor (STE-BOSS)	Required for mounting 2 / 3 / 4 fixtures on single pole (also requires wall mount brackets)
Light Spill Shield (STE-LSS)	House Side / Front Side Spill light shield
Dark Sky Compliance	Multiple accessories are available to comply with IDA Recommendations

CERTIFICATIONS

cTUVus (UL Certification)	UL8750 / UL1598 / CAN/CSA-C22.2 No250.0-18 Cert # CU 72192256 01
Salt Spray Resistance	ASTM B117, ISO-9227
3G Vibration Testing	ANSI/IEEE C136.31 Certified
IES / CIE modelling files	America Accreditation Body under ILAC MRA agreement (USA) / NATA (AUSTRALIA)
Battery Certifications	UN38.3 / IATA DGR 62nd edition for safe transportation

ENVIRONMENTAL

Operating Temp. Range	-40°C to 60°C / -40°F to 140°F
IP Rating	IP-66

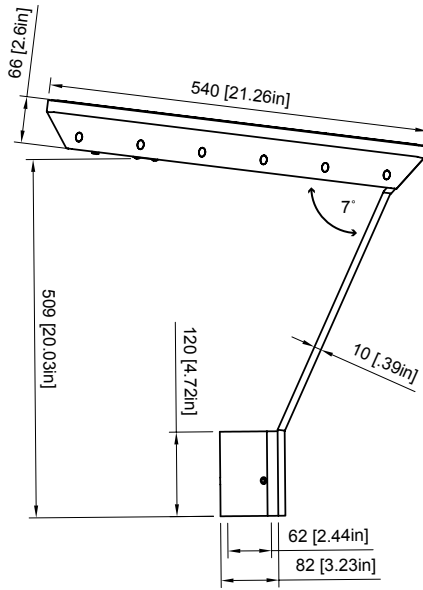
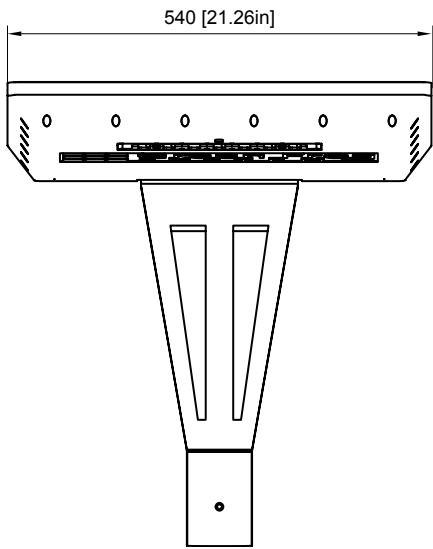
WARRANTY

Warranty Period	10 years (Battery)** / 5 years (Unit) / 25 years (Solar Panel)
-----------------	--

* Based on real world field test data ** Based on fully charged battery. Full warranty information including battery pro-rata details are available at >> greenfrogsystems.com/product-warranty

MOUNTING OPTIONS / PRODUCT DIMENSIONS

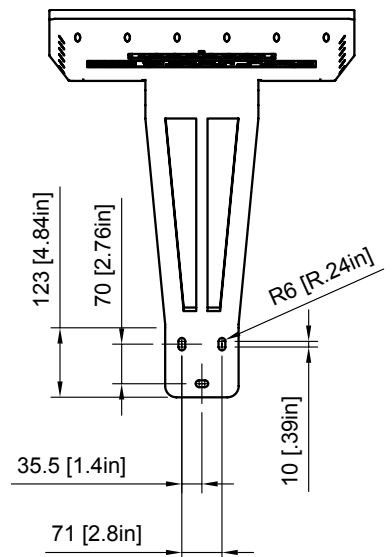
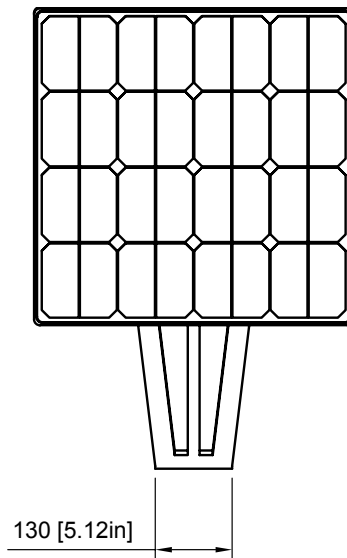
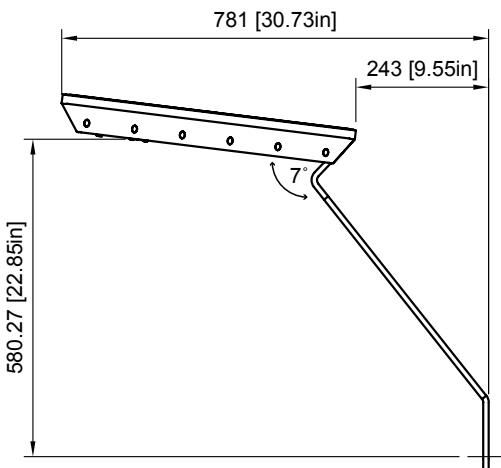
POLE MOUNT



ZERO TILT POLE MOUNT

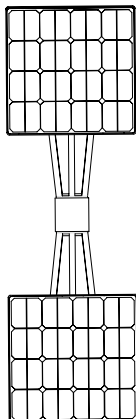


WALL MOUNT

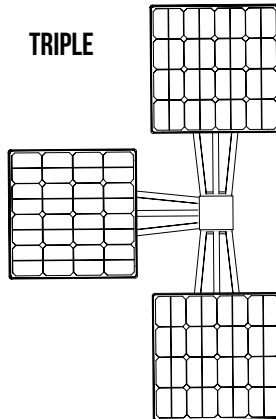


OTHER CONFIGURATIONS

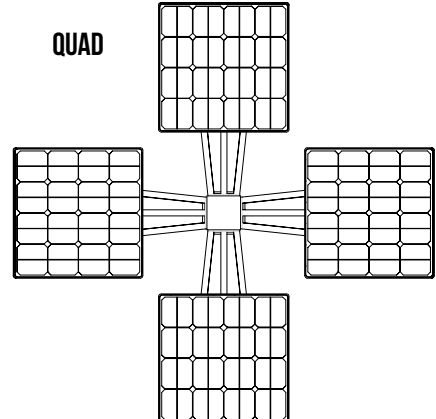
TWIN



TRIPLE

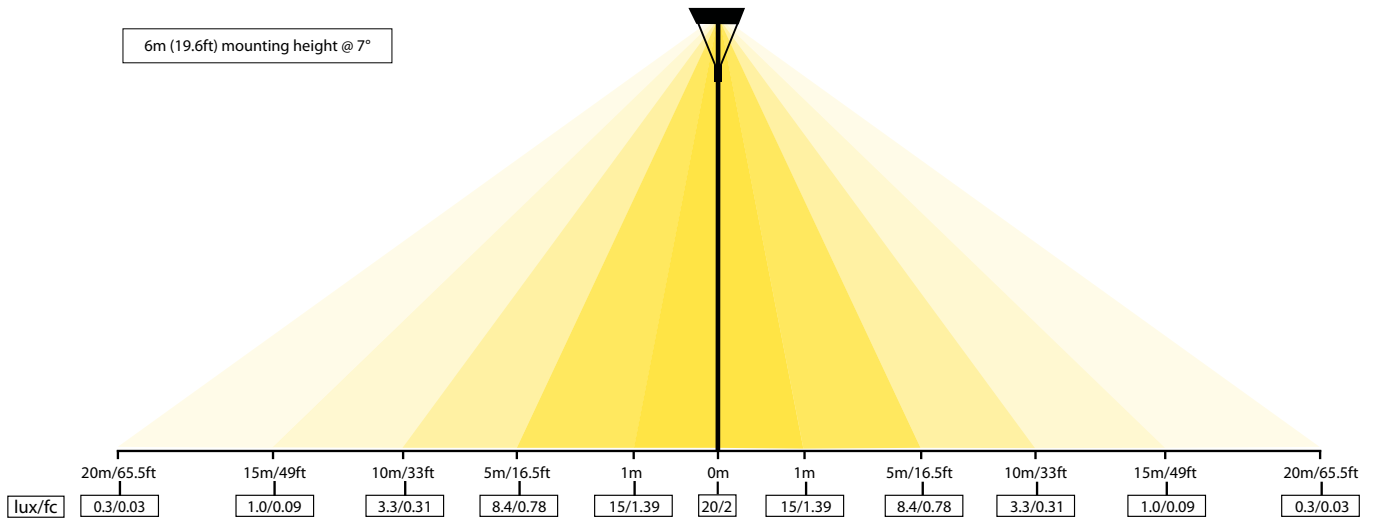


QUAD

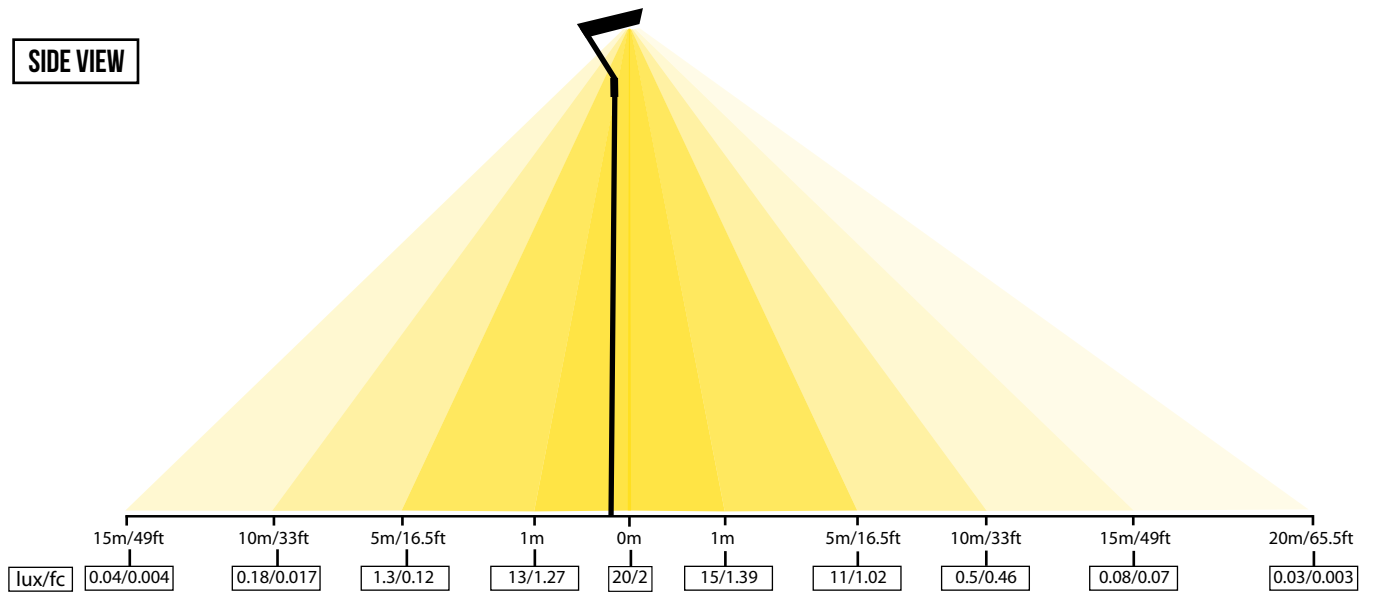


LIGHT DISTRIBUTION — @ 15W OUTPUT

FRONT VIEW



SIDE VIEW



PHOTOMETRICS – @ 15W OUTPUT

