

DEFENDER-55 GEN2

ALL IN ONE SOLAR LIGHT



ALL-IN-ONE
standalone design

55W
10,285lm



DEFENDER

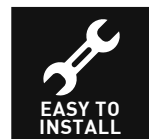
ALL IN ONE SOLAR SERIES

The game changing DEFENDER-55 all one solar light is the most advanced medium duty solar light available from Green Frog Systems. The unit features adjustable angle LED's, twin PIR motion detection and an advanced nano-particle battery with passive cell balancing technology plus a fully programmable solar controller.

Smart City Ready, the DEFENDER can be easily deployed as part of a remotely controlled lighting network independent of the mains power grid without having to compromise on performance.

APPLICATIONS

- Streets
- Pathways
- Parking Lots
- Industrial
- Marinas
- Jetties
- Parks
- Recreation



DEFENDER-55 ALL IN ONE SOLAR LIGHT



SPECIFICATIONS

MODEL GFS-DEFENDER-55

OPERATING PROFILE

Standard operating mode is - **Configurable** - Unit has programmable parameters ranging from 374lm to 10,285lm **NOTE:** Various program and TIMER settings for ON / OFF / DIM are available upon request.

LED

Type	Cree XP-G3 / 12PCS
Watts (Light Output)	55W (Max)
Lumen	10,285lm
Rotatable LED Angle	-40° - +40°
Lens Type	LEDIL T2 (Default) T3 / T5 optional
CCT (Colour Temperature)	4000K (Standard) / 3000K (Optional)
PIR Sensor Type	TWIN (2x) Panasonic PIR Sensors (L+R Mount)
PIR Detection Range	<15m / <49' detection zone - PIR Boost activates for 30 sec.
PIR Boost Power	Standard (Fixed) -19W (3553lm) / Optional 6W (1122lm)

BATTERY

Autonomy	102 hours (up to 8.5 nights)*
Battery Capacity	12.8v / 24Ah / 307.2Wh
Battery Type	LiFePO ₄ with passive cell balancing technology

SOLAR PANEL

Watts (p) / Type	32W Monocrystalline
Efficiency	21%
Solar Input Port (DC)	Expansion port for additional solar panel

CHARGING PORT (DC)

DC Charging Port (Input)	15VDC, 3A max
DC Power Output	11-15VDC, 3A max *Output voltage varies depending on Battery SOC

UNIT

Material	6063-T5 Aluminium Alloy (Black)
Pole Mount Spigot Adaptor	ID - 64mm / 2-3/8" Tennon
Mounting Angle	Adjustable -90° - +90°
Sail Area / EPA	0.06m ² - 0.27m ² / 0.64ft ² - 2.97ft ²
Product Dimensions	711L x 386W x 67H mm / 27.99"L x 15.19"W x 2.63"H
Product Weight	14 kg / 30.86 lb
Package Dimensions	925 x 475 x 170 mm / 36.4"L x 18.70"W x 6.69"H
Package Weight	<17kg / 15.43 lb

ENVIRONMENTAL

Operating Temp. Range	-20°C-60°C / -4°F-140°F
IP Rating	IP-65

WARRANTY

Warranty Period	5 years warranty (complete)
-----------------	-----------------------------

OPTIONS

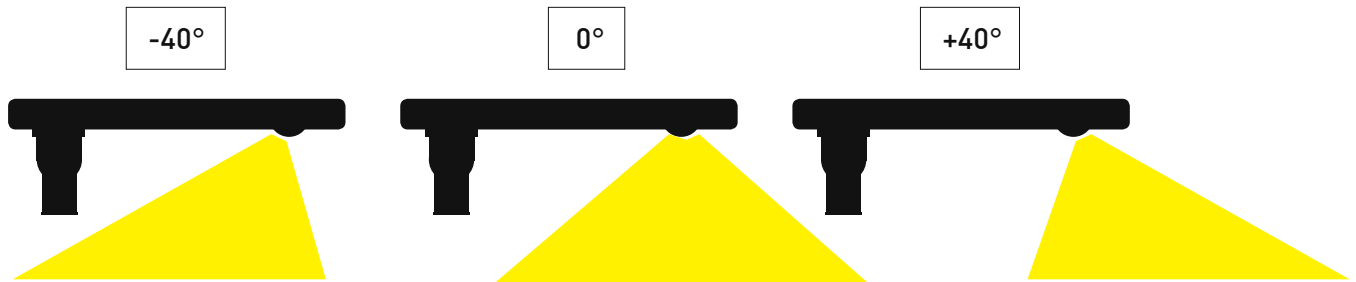
IOT SAM Enabling	Smart City Connection / Antenna Kit
Additional 32W solar panel	Connectible via DC Charging port
Direct Bury HD Galvanised Pole	6m / 20ft total height - 2 sections, powder coated black 60mm / 2-3/8" spigot
Hinge Pole	6m / 20ft total height - 2 sections, powder coated black 60mm / 2-3/8" spigot - Hinged at Base
Spigot adaptor	76mm / 3" OD
3000K CCT Conversion	Custom modification available - Please Enquire

*Based on real world field test data

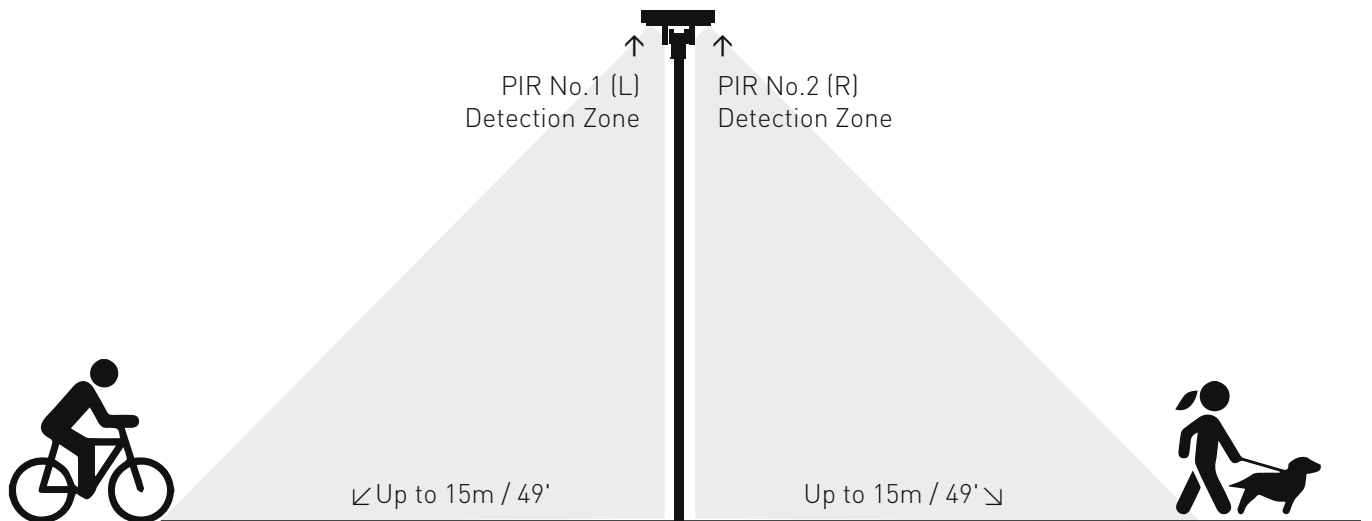
DEFENDER-55 ALL IN ONE SOLAR LIGHT



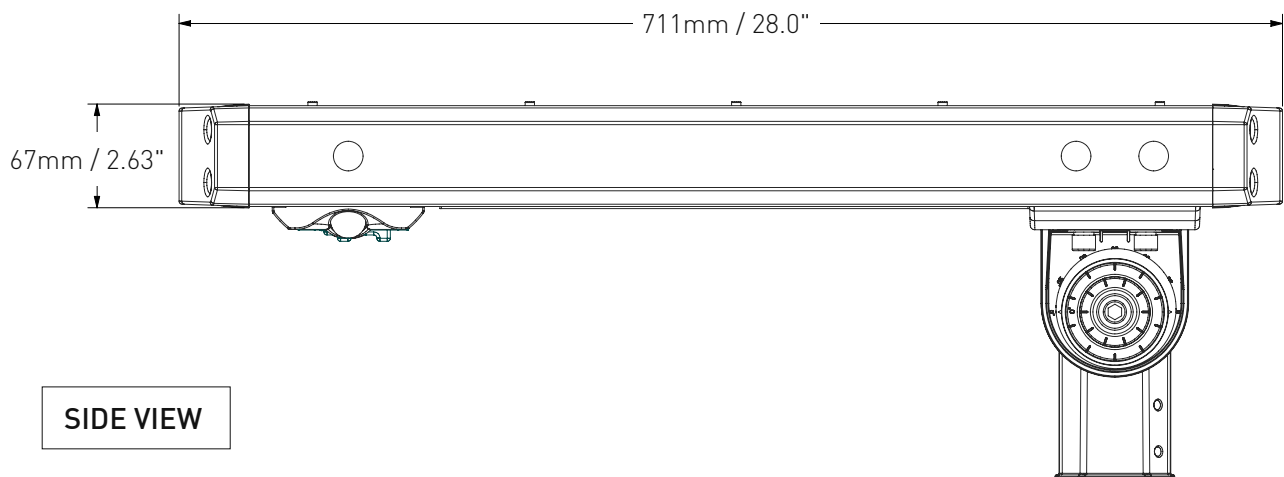
ADJUSTABLE LED - ROTATION ANGLES



PIR FUNCTION - TWIN DETECTION ZONE



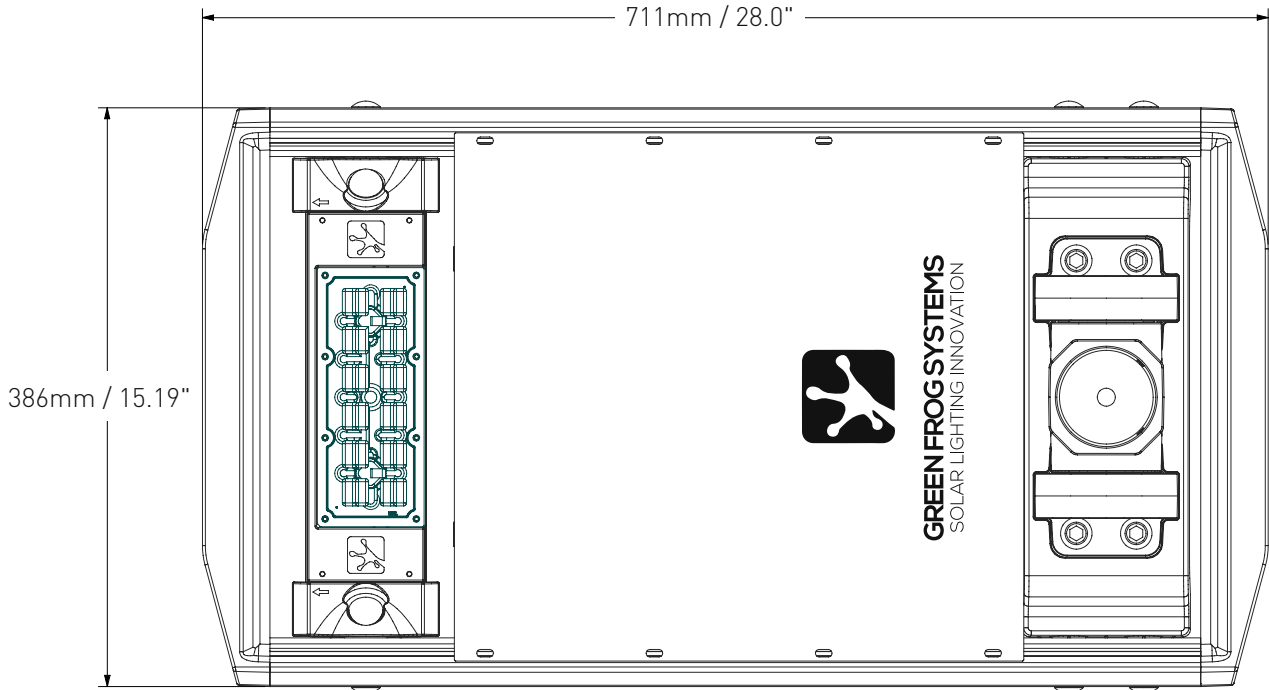
PRODUCT DIMENSIONS



DEFENDER-55 ALL IN ONE SOLAR LIGHT



PRODUCT DIMENSIONS (CONT.)



BOTTOM VIEW

