



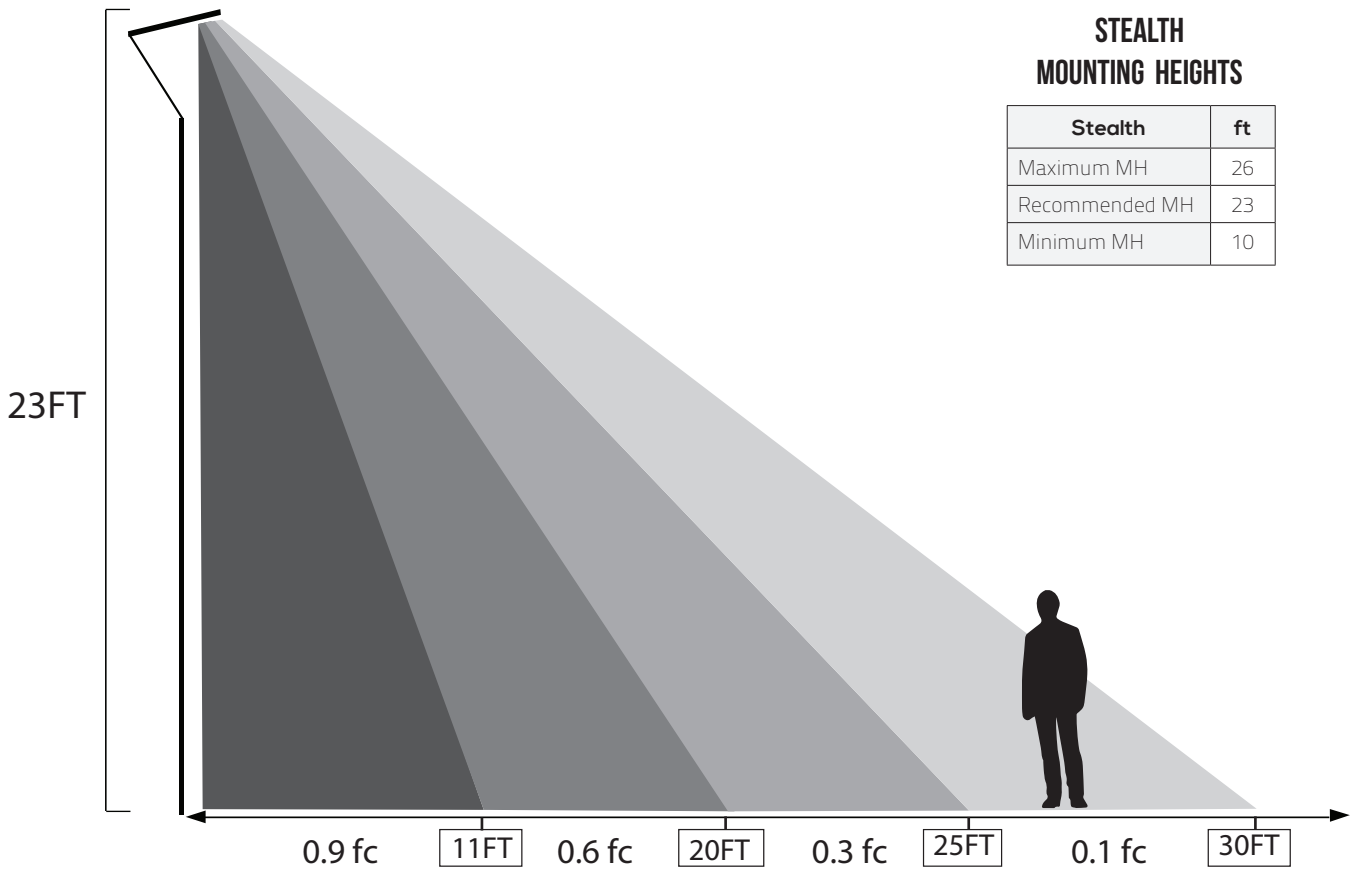
## TECHNICAL DATA

<b>GFS-STEALTH SOLAR STREET / PATH LIGHT</b>
Integrated solar light 50W N-Monocrystalline solar panel, Integrated 32Ah incorporating GFS-Advanced Cell Technology LiFePO4 battery, CREE 2805Lm LED, Motion sensor
<b>OPERATION</b>
Designed to give all night operation up to 14 hours per night in most weather conditions at 1402Lm****
<b>MOUNTING HEIGHT</b>
26 ft maximum height suggested height 23ft
<b>LED</b>
14 x USA made CREE XP-G led configured in 2 x 7 LED arrangement
2805lm total output
Bank 1 - 7 x LED 1402lm all night mode
Bank 2 - 7 x LED 1402lm Motion sensor trigger for 30 seconds
4000K CCT, 70 CRI 187lm/w
Dual LED driver technology for ultimate reliability
<b>LENS</b>
Sophisticated, indestructible polycarbonate lens allows for precise evenly distributed directional
Meets International lighting standards, less poles required for significantly more illumination
Type 3 Pathway / roadway 135°85° (standard)
Type 5 Round Lens 110° (optional)
<b>MOTION SENSOR</b>
Advanced PIR Passive InfraRed with Repeat Trigger feature (stays on full power as long as heat source movement is detected)
Eliminates false triggering (trees, high winds and small rodents)
360° sensing range
20 feet detection range when mounted on 20ft Pole*
Vandal resistant design with optional PIR guard
<b>SOLAR PANEL</b>
USA made N-Monocrystalline cells Military Grade 24% class leading efficiency
50W Maximum Power output - Most compact rectangular 50W solar panel on the market today
Advanced edgeless frame design at 7° angle prevents buildup of dirt and bird fouling
Optimum power at any solar orientation due to advanced Cell and controller technology
<b>BATTERY</b>
GFS designed (ACT) -advanced Cell Technology next generation LiFePO4 battery system
12.8v 32AH (409.6Wh)
54 hours continuous light output in all night mode
4.5 days backup power**
Integrated IBMS (intelligent battery management system) featuring short circuit, overtemperature, over charge and overcurrent protection
Cell Balancing technology with temperature compensation

<b>SMART CONTROLLER</b>
Monitors all vitals of the unit, including LED, Solar, battery, temperature
Manual dimming potentiometer to give prolonged light output in shaded environments
MPPT Charging with 99% tracking efficiency
IOT Ready smart city***
Flexible on /off programs
Auto /On /OFF set as default (on at dusk, off at dawn)
Real time clock for precise on /off times
Ability to program turn on hours, before sunrise
Multiple on/off programs per night
RS485 interface with hand programmer
<b>HOUSING + PAINT</b>
IP65 fully sealed fitting
Heavy duty cast aluminum housing
Marine grade USA made Tiger Coating
Primer coat and 2 x top coat ensuring ultimate weather resistance
Stainless steel 316 and 304 grade fixtures
<b>OPERATING TEMPERATURE</b>
-4°F to 140°F (-20°C to 60°C)
<b>PRODUCT DIMENSIONS &amp; WEIGHT</b>
21.26" x 21.26" x 2.56" 37.47lbs
<b>PACKING DIMENSIONS</b>
24.41L x 24.41W x 6.69D (in)
<b>WARRANTY</b>
5 year warranty*****
<b>SAIL AREA</b>
(Horizontal sail area calculation) 1.233sqft
<b>CERTIFICATIONS</b>
Product and component certifications listed UL E349212 LED, UL1642 Battery, IEC62133CE/BIS, CE ISO9227-2017 Salt Spray, ISO12944 paint corrosion resistance, UL3135 Cabling, UL1598 Safety Luminaires, UL8750 LED Safety, UL1703, FCC Part 15 class B
Certified to meet ANSI/IES RP-8-14 and ANSI/IES RP-20-14 lighting standards

*	Based on standard tests at 77°F at 20ft mounting height in test conditions. Stealth lights mounted on higher poles will shorten the sensing range
**	Days backup is calculated on a 12 hour night time operation @ 1402 lumens
***	When fitted with optional control system
****	GFS does NOT guarantee lighting performance due to many factors outside of GFS control such as shading, dirt, bird fouling and excessive triggering, however based on test data from numerous installs across the world 14 hour a night operation has been achieved in typical installs
*****	5 year on all components except battery (3 year) refer to specific warranty T&C's document

# LIGHT ANGLE DISTRIBUTION

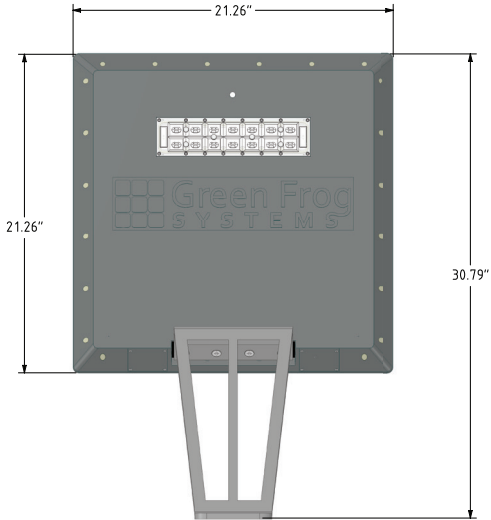
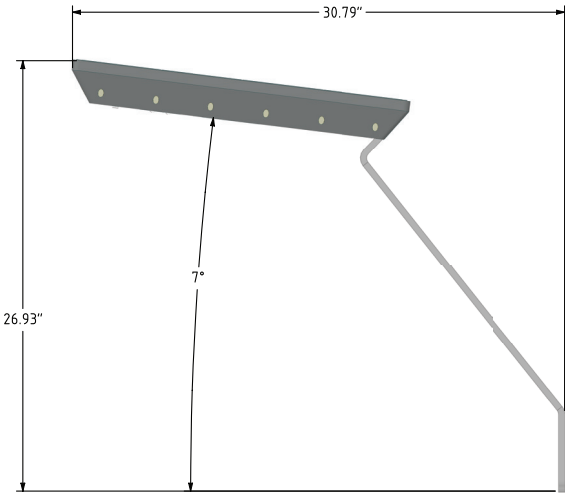


## ORDERING INFORMATION

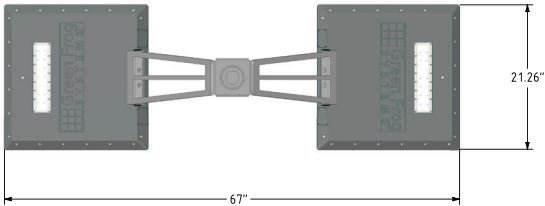
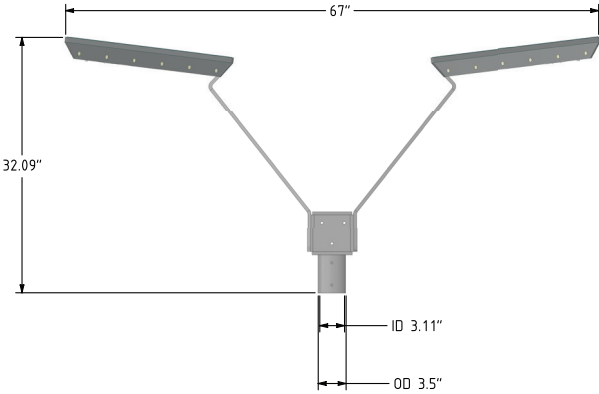
PART NUMBER	DESCRIPTION	WEIGHT (LBS)	UNIT DIMENSIONS (ASSEMBLED)	BOX DIMENSIONS	ORDER QUANTITY
GFS-STEALTH	GFS-Stealth Solar Pathway Light	47.51 lbs	21.26L x 21.26W x 2.28D (in)	24.41L x 24.41W x 6.69D (in)	
GFS-STEALTH-PB60	GFS-Stealth Pole mount bracket suit 2.38" pole	12.3 lbs	ID 2.48 (in), OD 2.99 (in)	22.83L x 10.43W x 7.28D (in)	
GFS-STEALTH-WB	GFS Stealth Wall mount bracket	13.78 lbs	25L x 7.87W x 3.15D (in)	22.83L x 10.43W x 7.28D (in)	
GFS-STEALTH-PB76	GFS-Stealth Pole mount bracket suit 3" pole	14.5 lbs	ID 3.15 (in), 3.62 OD (in)	22.83L x 10.43W x 7.28D (in)	
GFS-STEALTH-DUO	GFS-Stealth Dual head model complete kit (less pole)	141.76 lbs	67.01L x 21.26W x 32.09D (in)	24.41L x 24.41W x 24.80D (in)	
GFS-STEALTH-TRIO	GFS-Stealth Triple head pole model complete (less pole)	203.05 lbs	67.01L x 44.17W x 32.09D (in)	24.41L x 24.41W x 31.88D (in)	
GFS-STEALTH-QUAD	GFS-Stealth Quad head pole model complete (less pole)	264.33 lbs	67.01L x 67.01W x 32.09D (in)	24.41L x 24.41W x 39.76D (in)	
GFS-STEALTH-HD	IK10 ultra vandal resistant upgrade for Solar Panel	50.6 lbs	21.65L x 21.26W x 2.36D (in)	24.41L x 24.41W x 6.69D (in)	
GFS-STEALTH-SGL	LED and PIR stone guard (ultra vandal resistance)	0.5 lbs	10.47L x 5W x 0.24D (in)	Fitted inside stealth box	
GFS-STEALTH-LL	TYPE 5 Round LED lens upgrade	NA	NA	Fitted inside stealth box	

# WALL / MOUNTING OPTIONS

## WALL MOUNT



## TWIN HEAD



## QUAD HEAD

