

GUARDIAN-7 TECHNICAL DATA



15.35

Length (inches)



10.86

Width (inches)



1.37

Height (inches)



14.33

Product Weight (lb)



IP-65

Ingress Protection



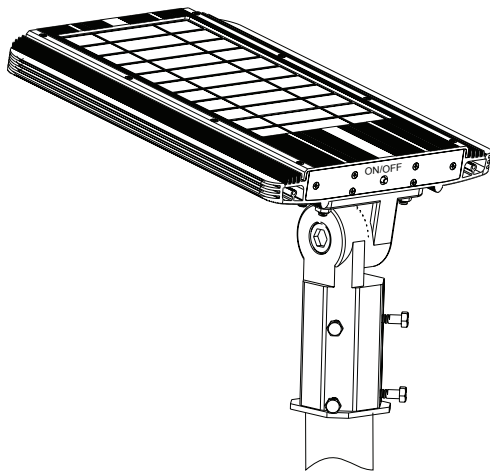
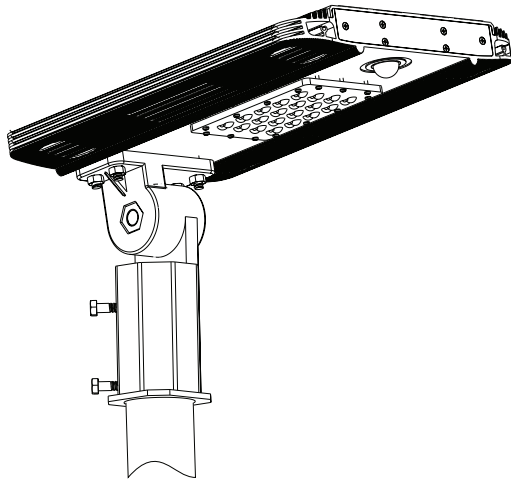
IK-08

Impact Resistance



500

Lumen Output



GUARDIAN-7 MOUNTING HEIGHTS

GUARDIAN-7	ft
Maximum MH	16
Minimum MH	10

TECHNICAL DATA

GUARDIAN-7	
LED CHIP / QTY	EPISTAR / 20pcs
Solar Panel	7W 17% efficiency
Battery	Li-Ion 3.7 13200mAh
LED Output	500 Lumens
Colour Temperature	Pure White 6000k
Movement Sensor	10-16 ft @120° Degrees
Solar Charging Time	9-10 Hrs
Working Time	3-5 Days With Full Charge
Working Temperature	-22°f - +140°f
Storage Temperature	-13°f - +149°f
Working Lifespan	>50,000hrs
Material	Die-Cast Aluminum
Exterior Shell Colour	Anodised Grey Metallic
Warranty	24 months
Protection Rating	IP-65
Weight N/G	14.43lb / 15.43lb
Package Size	16.14" x 13.38" x 7.08"
Certificates	TUV-CE, ROHS, GS, CB, UL
Pole Mount Bracket Size	2.36" IDA

ALL PRODUCT, PRODUCT SPECIFICATIONS AND DATA ARE SUBJECT TO CHANGE WITHOUT NOTICE TO IMPROVE RELIABILITY, FUNCTION, DESIGN OR OTHERWISE.