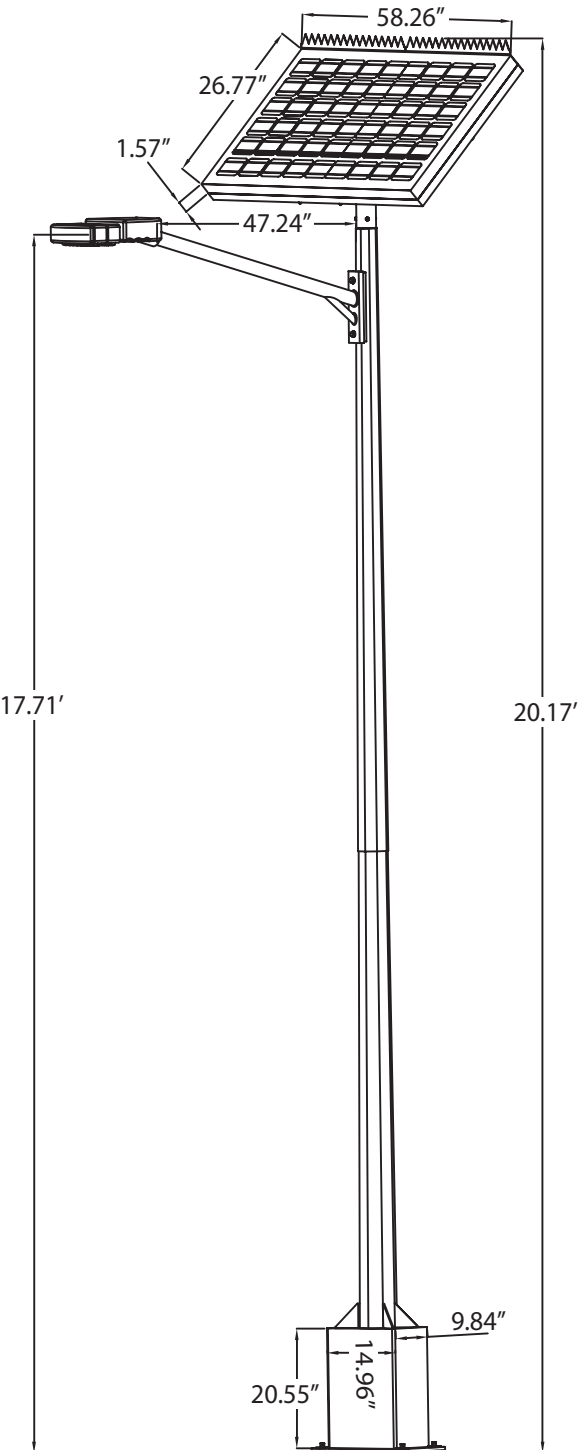


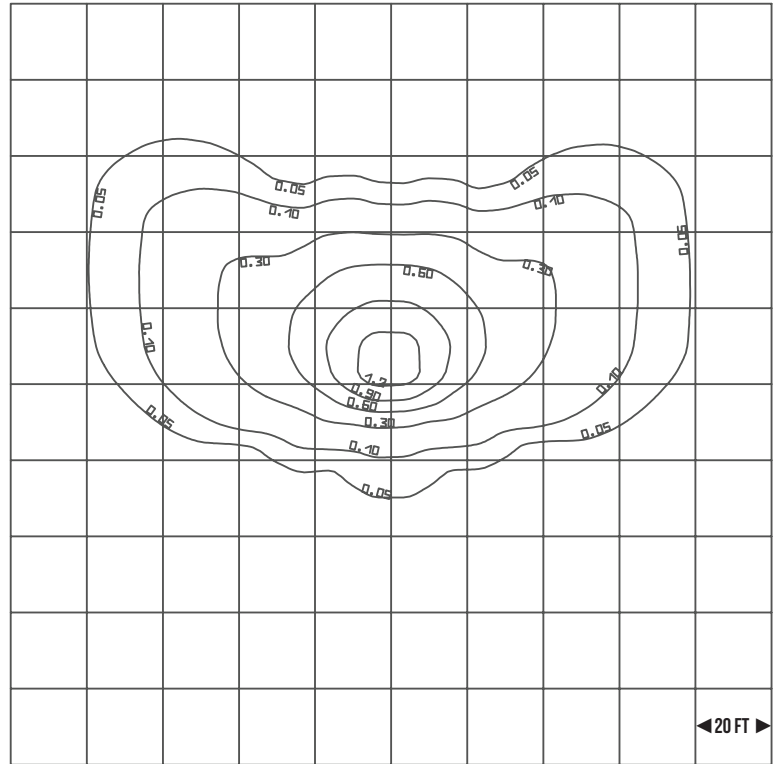
GFS-200 TECHNICAL DATA



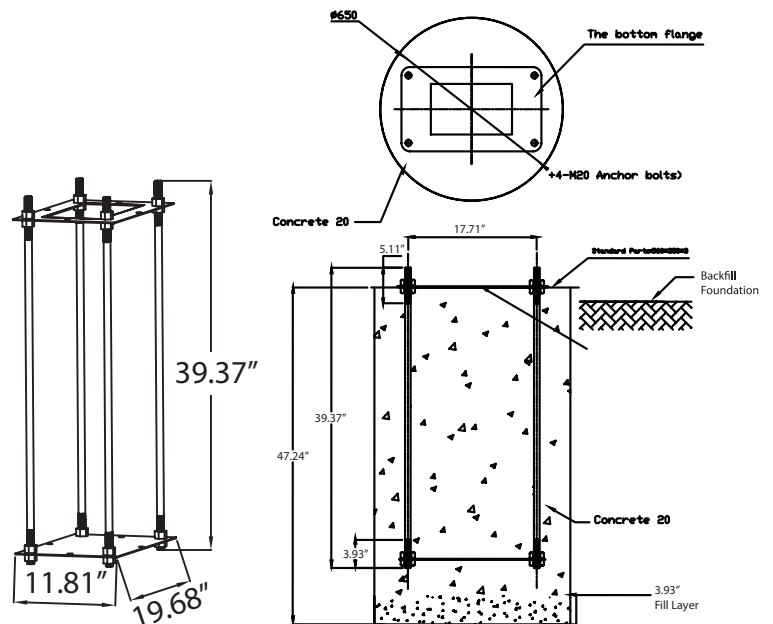
47.47	58.26	20.17	37.47	IP-65	IK-10	5610
Length (inches)	Width (inches)	Height (feet)	Product Weight (lb)	Ingress Protection	Impact Resistance	Lumen Output



GFS-200 Type 3 Lens 30W MH-26F Tilt 15°



Underground Cage & Ragbolt Assembly



TECHNICAL DATA

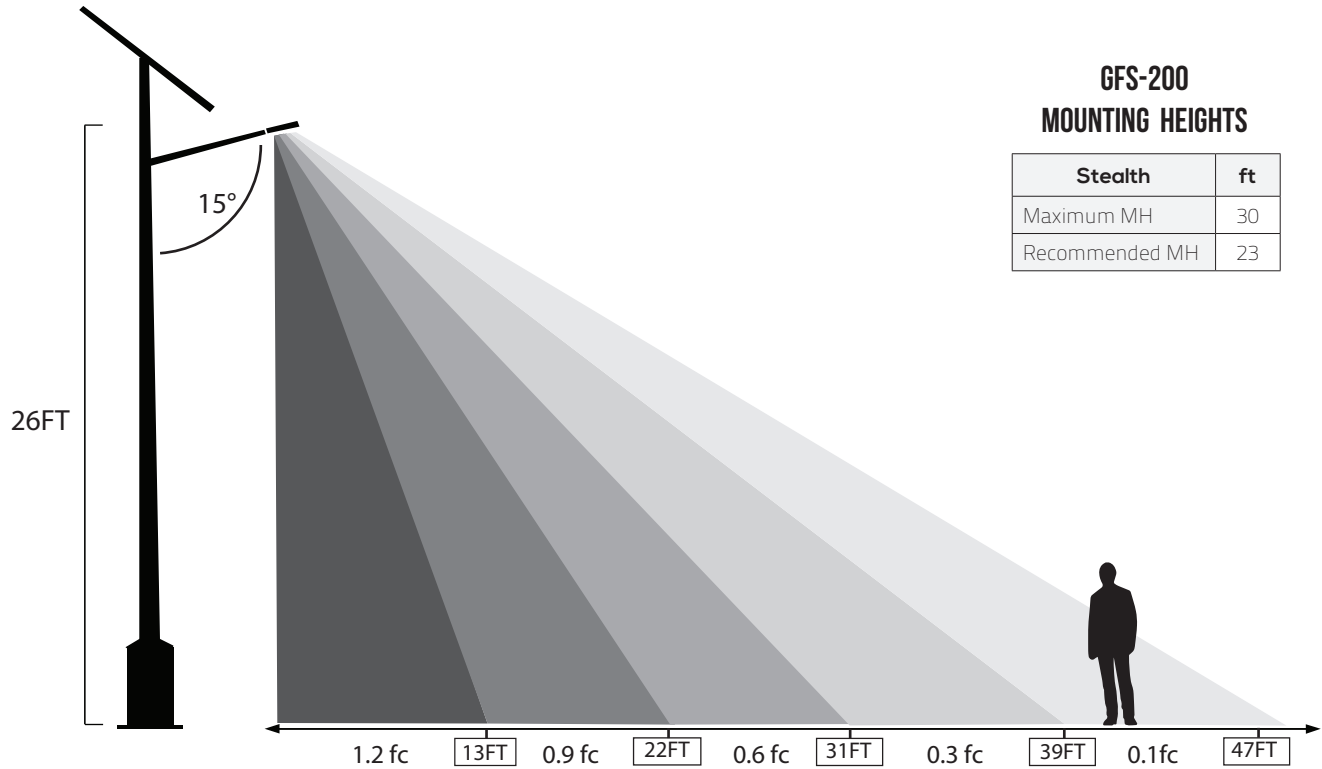
GFS-200 SOLAR STREET / PATH LIGHT
The GFS 200® Series is quite simply the most reliable, robust, virtually unbreakable, solar street lighting system on the market. Consistently chosen by councils and industry across Australia due to its integrated secure design and class leading performance.
OPERATION
Designed to give all night operation up to 14 hours per night in all weather conditions at 5610lm
MOUNTING HEIGHT
30 ft maximum height. Suggested height 23ft
LED
28 x USA made CREE XP-G led configured in 2 x 14 LED arrangement
5610lm total output
4000K CCT, 70 CRI 187lm/w
Dual LED Module for ultimate reliability
Constant LED power output ensures consistent output all night
LENS
Sophisticated, indestructible polycarbonate lens allows for precise evenly distributed directional illumination output. Dual Lens design provide flexibility in lens mixing. (type 3 / 5)
Meets International lighting standards, less poles required for significantly more illumination
Dual Lens - Type 3 pathway / roadway 135°85° (standard)
Mix Lens - Type 3 & 5 lens 110° + 135 (optional)
POLE & FRAME
85 micron zinc coating for complete corrosion resistance
0.12" - 0.63" Galvanised Steel
SOLAR PANEL
High Grade - 21% class leading efficiency, sophisticated technology making it highly sensitive and more efficient than standard panels on the market.
Impact resistance, solar panel equipped with back panel stone guard
Anti bird spike
360D adjustable solar panel facing, flexible installation and maximise solar power output
BATTERY
Flood proof deep cycle sealed gel battery
2 x 12V 2x75Ah (1800wh)
60 hours continuous light output in all night mode
5 days backup power**
SMART CONTROLLER
Monitors all vitals of the unit, including LED, Solar, battery, temperature
In built soft start constant current LED driver with over voltage, over current, short circuit protection

Tri Color Controller status indicator LED
Intelligent multistage charge profile
MPPT Charging with 99% tracking efficiency
IOT Ready smart city***
Flexible on /off programs
Auto /On /OFF set as default (on at dusk, off at dawn)
Ability to program turn on hours, before sunrise
RS485 interface with hand programmer
HOUSING & PAINT
Hot dip galvanized for complete corrosion resistance, built to last for ultra reliability.
OPERATING TEMPERATURE
-4°F to 140°F (-20°C to 60°C)
SAIL AREA
5.78 ft square
WARRANTY
5 year warranty*****
CERTIFICATIONS
Product and component certifications listed UL E349212 LED, UL3135 Cabling, UL1598 Safety Luminaires, UL8750 LED Safety
Certified to meet ANSI/IES RP-8-14 and ANSI/IES RP-20-14 lighting standards"



**	**Days backup is calculated on a 12 hour night time operation @ 5610 lumens
***	***when fitted with optional control system
****	****GFS does NOT guarantee lighting performance due to many factors outside of GFS control such as shading, dirt, bird fouling and excessive triggering, however based on test data from numerous installs across the world 14 hour a night operation has been achieved in typical installs
*****	***** 5 year on all components except battery (3 year) refer to specific warranty T&C's document

LIGHT ANGLE DISTRIBUTION



PART NUMBER	DESCRIPTION	WEIGHT (LBS)	DIMENSIONS	ORDER QUANTITY
GFS-200-30-6-SL	30W 6m Solar Street Light	655 lb	TOP POLE: 0.4" x 10' L BOTTOM POLE: 1.7" x 10' L SHIPPING BOX: 1.8' x 5.4' x 2.9'	
GFS-200-60-6-SL	60W 6m Solar Street Light (first 6hrs 100%, remaining night dim to 13W)			
GFS-200-75-6-SL	75W 6m Solar Street Light (first 6hrs 100%, remaining night dim to 12W)			
GFS-200-30-6-RD	30W 6m Solar Street Light	655 lb	TOP POLE: 0.4" x 10' L BOTTOM POLE: 1.7" x 10' L SHIPPING BOX: 1.8' x 5.4' x 2.9'	
GFS-200-60-6-RD	60W 6m Solar Street Light (first 6hrs 100%, remaining night dim to 13W)			
GFS-200-75-6-RD	75W 6m Solar Street Light (first 6hrs 100%, remaining night dim to 12W)			
ACCESSORIES	DESCRIPTION			ORDER QUANTITY
GFS-200-TWIN	Upgrade to Twin LED design (2x LEDs 2x outriggers 180°)	677 lb	3.93' L	
GFS-200-EXT	Add LED goose neck extension (increases 17.06 ft m to 19.68 ft)	678 lb	3.3' x 2.6'	
GFS-200-LL	Change LED lens (pathway to spherical design)	n/a	REPLACEMENT	
INSTALLATION	DESCRIPTION			ORDER QUANTITY
GFS-200-HBP	Add Hinge base pate (allow easy lifting/lowering pole)	44 lb	5.9' x 3.1' x 0.4'	
POLE COLOR	DESCRIPTION			ORDER QUANTITY
GFS-200-PC	Upgrade pole to colour powdercoating (black / green / white / silver)	n/a	n/a	
CCTV	DESCRIPTION			ORDER QUANTITY
GFS-200-CAM	CCTV 4MP Camera motorised lens, NVR 2TB HDD, Wifi Wireless Link	n/a	n/a	
VANDAL PROTECTION	DESCRIPTION			ORDER QUANTITY
GFS-200-SGL	Stone mesh guard protection for LED	1 lb	11.8" x 5.9" x 1.2"	
GFS-200-SGS	Stone mesh guard protecton for solar panel	11 lb	5.2' x 2.7' x 0.3'	
GFS-200-ACS	Anti climbing spikes	10 lb	2.4' x 2.4' x 0.6'	